

DATA SHEET

OLH5600/OLH5601: Hermetic High CMR/High-Speed Optocoupler

Features

- Rugged and reliable hermetic Dual Inline Package (DIP)
- Performance guaranteed over full military temperature range
- High isolation voltage: 3000 V_{DC}
- High-speed: 55 ns propagation delay
- Open collector output
- High Common Mode Rejection (CMR)
- Radiation tolerant design

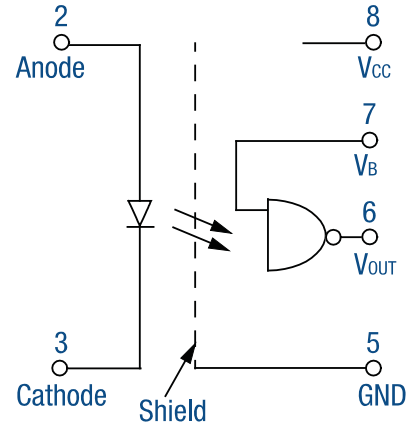
Description

The OLH5600/5601 are hermetic 8-pin DIP optocouplers for high-speed digital applications. The OLH5601 product is a 100 percent high-reliability screened version of the OLH5600.

Each unit consists of an Aluminum Gallium Arsenide (AlGaAs) LED optically coupled to an integrated photodetector that provides 3000 V_{DC} electrical isolation between the input and output. An internal shield provides excellent common mode rejection performance.

The OLH5600/5601 products are functionally compatible to 6N134, 6N137, HCPL2601, and HCPL5600/5601 optocouplers.

Special CMR selection and lower threshold current are available upon request.



Truth Table		
Input	Enable	Output
H (on)	H	L
L (off)	H	H
H (on)	L	H
L (off)	L	H

K028

Figure 1. OLH5600/5601 Block Diagram

Figure 1 shows the OLH5600/5601 functional block diagram. Table 1 provides the OLH5600/5601 absolute maximum ratings. Table 2 provides the OLH5600/5601 electrical specifications.

Figures 2 through 5 illustrate the OLH5600/5601 typical performance characteristics. Figure 6 shows the OLH5600/5601 switching test circuit. Figure 7 provides the OLH5600/5601 package dimensions.

Table 1. OLH5600/5601 Absolute Maximum Ratings

Parameter	Symbol	Minimum	Maximum	Units
<i>Coupled</i>				
Input to output isolation voltage (Note 1)	V _{DC}	-3000	+3000	V
Storage temperature range	T _{STG}	-65	+150	°C
Operating temperature range	T _A	-55	+125	°C
Lead solder temperature (1.6 mm below seating plane)			+260 for 10 sec	°C
Total package power dissipation	P _D		+350	mW
<i>Input Diode</i>				
Average input current	I _{DD}		20	mA
Peak forward current (≤1 ms duration)	I _F		40	mA
Reverse voltage	V _R		5	V
Input power dissipation	I _P D		35	mW
<i>Output Detector</i>				
Average output current			25	mA
Supply voltage	V _{CC}		7	V
Output voltage	V _{OUT}		7	V
Enable input voltage	V _E		5.5	V
Power dissipation	P _D		40	mW

Note 1: Measured between pins 1, 2, 3, and 4 shorted together, and pins 5, 6, 7, and 8 shorted together.

CAUTION: Although this device is designed to be as robust as possible, electrostatic discharge (ESD) can damage this device. This device must be protected at all times from ESD. Static charges may easily produce potentials of several kilovolts on the human body or equipment, which can discharge without detection. Industry-standard ESD precautions should be used at all times.

Table 2. OLH5600/5601 Electrical Specifications (Note 1)
(T_A = -55 °C to +125 °C, Unless Otherwise Noted)

Parameter	Symbol	Test Condition	Minimum	Typical	Maximum	Units
Low level output voltage (Note 2)	V _{OL}	V _{CC} = 5.5 V, I _{OL} = 10 mA, I _F = 10 mA		0.3	0.6	V
High level output current (Note 2)	I _{OH}	V _{CC} = V _O = 5.5 V, I _F = 250 μA		5	250	μA
High level supply current (Note 2)	I _{CCH}	V _{CC} = 5.5 V, I _F = 0 mA		10	14	mA
Low level supply current (Note 2)	I _{CCL}	V _{CC} = 5.5 V, I _F = 10 mA		15	18	mA
Low level enable current	I _{EL}	V _{CC} = 5.5 V, V _E = 0.5 V		-1.5	-2.0	mA
High level enable voltage	V _{EH}	V _{CC} = 5.5 V	2			V
Low level enable voltage	V _{EL}	V _{CC} = 5.5 V			0.8	V
Input forward voltage	V _F	I _F = 10 mA		1.6	2.2	V
Input reverse breakdown voltage	B _{VR}	I _R = 10 μA	5			V
Input to output leakage current (Note 3)	I _{I_0}	R _H ≤ 50%, T _A = 25 °C, V _{I_0} = 3000 V _{DC} , t = 1 s			1	μA
Input to output capacitance	C _{I_0}	f = 1 MHz		1		pF
Propagation delay time (Note 2):						
Logic high to low	t _{PHL}	I _F = 13 mA, V _{CC} = 5 V, R _L = 510 Ω		55	140	ns
Logic low to high	t _{PLH}	I _F = 13 mA, V _{CC} = 5 V, R _L = 510 Ω		60	140	ns
V _{EH} to V _{EL}	t _{EHL}	I _F = 13 mA, V _{CC} = 5 V, R _L = 510 Ω, V _{EH} = 3 V		35		ns
V _{EL} to V _{EH}	t _{ELH}	I _F = 13 mA, V _{CC} = 5 V, R _L = 510 Ω, V _{EL} = 0 V		35		ns
Output rise time (10 % – 90 %) (Note 2)	t _R	I _F = 13 mA, V _{CC} = 5 V, R _L = 510 Ω		35		ns
Output fall time (90 % – 10 %) (Note 2)	t _F	I _F = 13 mA, V _{CC} = 5 V, R _L = 510 Ω		35		ns
Common mode transient immunity (Note 2):						
High output	CMH	V _{CM} = 350.0 V peak, V _O (minimum) = 2.0 V, R _L = 510.0 Ω, I _F = 0 mA, T _A = 25 °C	5	>10		KV/μs
Low output	CML	V _{CM} = 350.0 V peak, V _O (maximum) = 0.8 V, R _L = 510.0 Ω, I _F = 10.0 mA, T _A = 25 °C	5	>10		KV/μs

Note 1: Exposure to maximum rating conditions for extended periods may reduce device reliability. There is no damage to the device with only one parameter set at the limit and all other parameters set at or below their nominal value. Exceeding any of the limits listed here may result in permanent damage to the device.

Note 2: A ceramic capacitor (0.01 μF to 0.1 μF) is required between pins 5 and 8.

Note 3: Measured between pins 1, 2, 3, and 4 shorted together, and pins 5, 6, 7, and 8 shorted together.

Typical Performance Characteristics

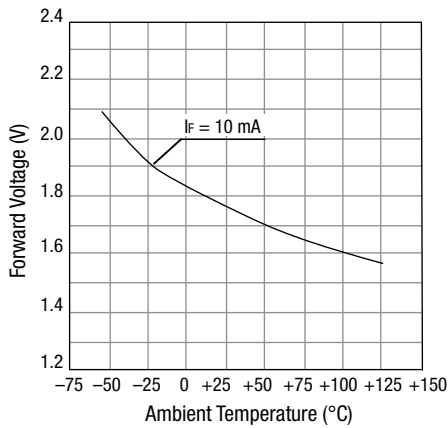


Figure 2. LED Forward Voltage vs Temperature

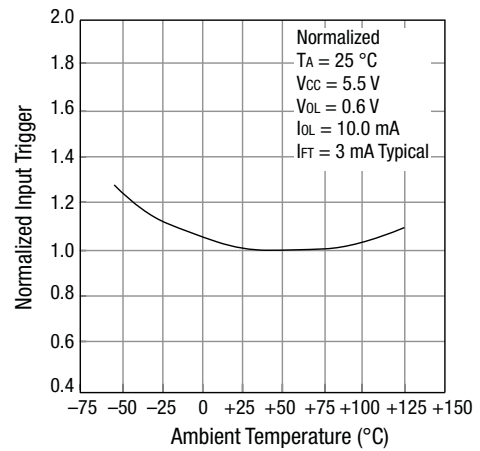


Figure 3. Normalized Input Trigger vs Temperature

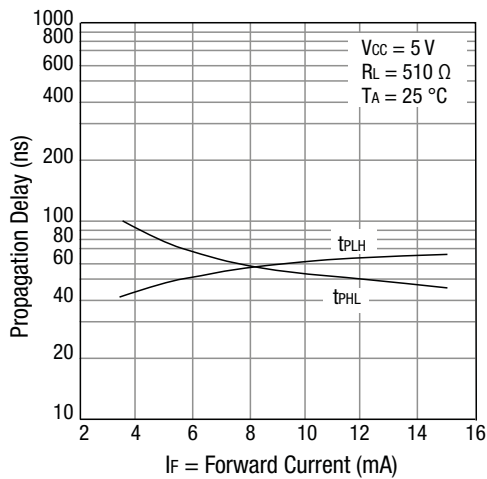


Figure 4. Propagation Delay vs Input Forward Current

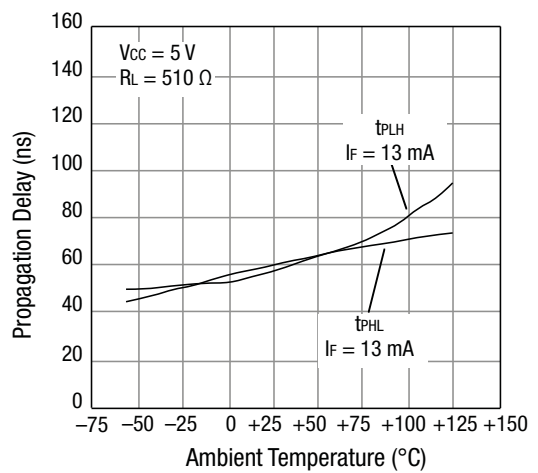


Figure 5. Propagation Delay vs Temperature

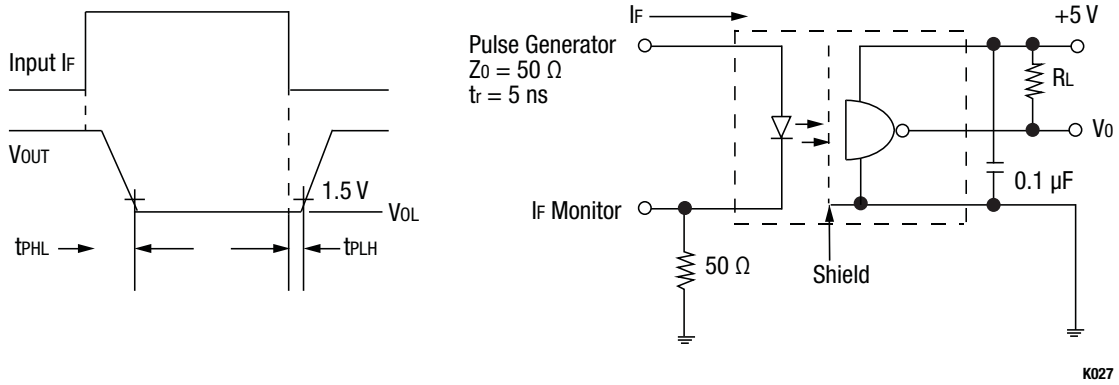
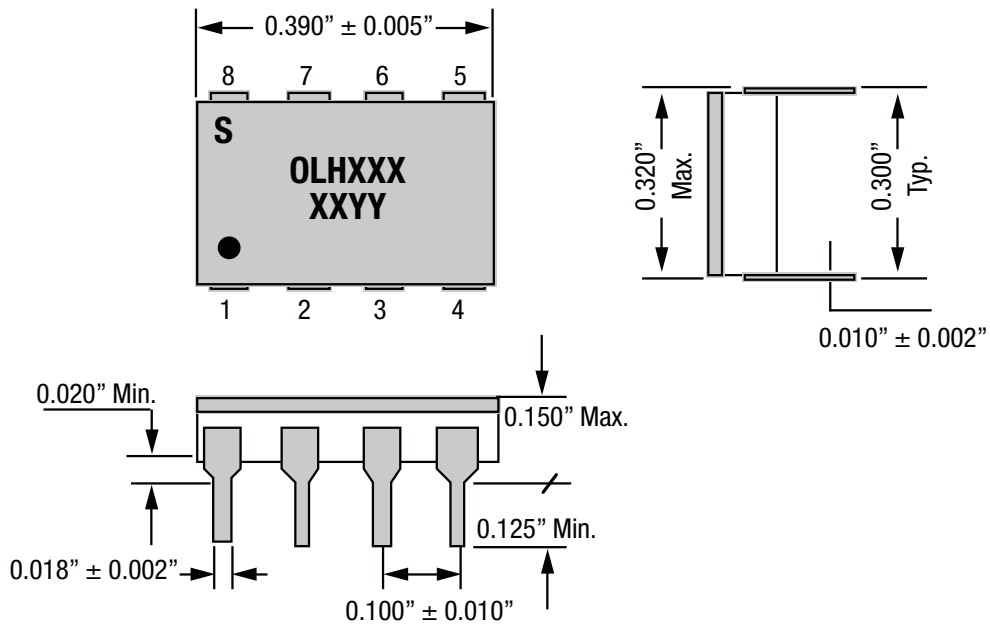


Figure 6. OLH5600/5601 Switching Test Circuit



K021

Figure 7. OLH5600/5601 Package Dimensions

Ordering Information

Model Name	Manufacturing Part Number
OLH5600/5601: Hermetic High CMR/High-Speed Optocouplers	OLH5600/5601

Copyright © 2012-2015, 2017 Isolink, Inc. All Rights Reserved.

Information in this document is provided in connection with Isolink, Inc. ("Isolink"), a wholly-owned subsidiary of Skyworks Solutions, Inc. These materials, including the information contained herein, are provided by Isolink as a service to its customers and may be used for informational purposes only by the customer. Isolink assumes no responsibility for errors or omissions in these materials or the information contained herein. Isolink may change its documentation, products, services, specifications or product descriptions at any time, without notice. Isolink makes no commitment to update the materials or information and shall have no responsibility whatsoever for conflicts, incompatibilities, or other difficulties arising from any future changes.

No license, whether express, implied, by estoppel or otherwise, is granted to any intellectual property rights by this document. Isolink assumes no liability for any materials, products or information provided hereunder, including the sale, distribution, reproduction or use of Isolink products, information or materials, except as may be provided in Isolink Terms and Conditions of Sale.

THE MATERIALS, PRODUCTS AND INFORMATION ARE PROVIDED "AS IS" WITHOUT WARRANTY OF ANY KIND, WHETHER EXPRESS, IMPLIED, STATUTORY, OR OTHERWISE, INCLUDING FITNESS FOR A PARTICULAR PURPOSE OR USE, MERCHANTABILITY, PERFORMANCE, QUALITY OR NON-INFRINGEMENT OF ANY INTELLECTUAL PROPERTY RIGHT; ALL SUCH WARRANTIES ARE HEREBY EXPRESSLY DISCLAIMED. ISOLINK DOES NOT WARRANT THE ACCURACY OR COMPLETENESS OF THE INFORMATION, TEXT, GRAPHICS OR OTHER ITEMS CONTAINED WITHIN THESE MATERIALS. ISOLINK SHALL NOT BE LIABLE FOR ANY DAMAGES, INCLUDING BUT NOT LIMITED TO ANY SPECIAL, INDIRECT, INCIDENTAL, STATUTORY, OR CONSEQUENTIAL DAMAGES, INCLUDING WITHOUT LIMITATION, LOST REVENUES OR LOST PROFITS THAT MAY RESULT FROM THE USE OF THE MATERIALS OR INFORMATION, WHETHER OR NOT THE RECIPIENT OF MATERIALS HAS BEEN ADVISED OF THE POSSIBILITY OF SUCH DAMAGE.

Customers are responsible for their products and applications using Isolink products, which may deviate from published specifications as a result of design defects, errors, or operation of products outside of published parameters or design specifications. Customers should include design and operating safeguards to minimize these and other risks. Isolink assumes no liability for applications assistance, customer product design, or damage to any equipment resulting from the use of Isolink products outside of stated published specifications or parameters.

Isolink is a trademark of Isolink Inc. in the United States and other countries. Skyworks and the Skyworks symbol are trademarks or registered trademarks of Skyworks Solutions, Inc., in the United States and other countries. Third-party brands and names are for identification purposes only, and are the property of their respective owners.